



SIEMENS

Ingenuity for life

Safe and efficient power transmission in wind turbines

Totally Integrated Power – SIVACON 8PS
LDM busbar trunking system

Contents

Totally Integrated Power	2
SIVACON 8PS busbar trunking systems – LDM system	3
The better solution: The LDM system	4
Highly performant and cost-efficient: The LDM system	6
Support	10



Totally Integrated Power

The importance of electrical power as an energy source for industries, buildings, and infrastructures is increasing steadily. Each business has specific needs and challenges and requires a versatile, adaptable, and tailored power supply in order to optimize availability and profitability. Totally Integrated Power (TIP) from Siemens is a completely customizable and integrated power supply solution comprising software and hardware products, systems, and solutions across all voltage levels.

TIP perfectly integrates into industrial and building automation systems and enables companies to focus on their core business while supporting their value chains with a reliable, safe, and efficient power supply. Because power matters.

The LDM busbar trunking system from the SIVACON 8PS product range is an integral part of Totally Integrated Power. The system transmits currents up to 8,200 A in the tower of a wind turbine in a safe, reliable, and efficient manner.

SIVACON 8PS busbar trunking systems

LDM system

The new, efficient busbar trunking system for wind turbines



Within the scope of sustainable power generation, wind energy is becoming more and more important. At the same time, manufacturers of wind turbines are exposed to a constantly increasing cost pressure: Their plants must transmit the generated power in a safe, reliable, and cost-efficient way.

With the proven LD busbar trunking system, Siemens has been able to gain experience for more than a decade in safe and reliable power transmission between the nacelle and the tower base of innumerable wind turbines.

Customer-specific solution

The LDM system, which has been especially conceived to meet the demands of wind turbines, is built upon this experience, adding a special, modular design. This allows to offer wind turbine manufacturers a customer-specific solution for each task.

Efficient solution

The LDM busbar trunking system conforms to the latest standard IEC 61439-1/-6, and is therefore particularly reliable and safe. In addition, the LDM system conforms to the North-American standard UL 6141. As a design verified system it offers – compared with cables – defined electrical and mechanical properties, it is halogen-free, and convinces by its low fire load. The system's compact design, low-loss joining system, pre-assembled busbar elements, optimised use of material, as well as recyclability make planning, installation, commissioning and removal especially cost-efficient.

Your benefits at a glance

Business understanding

- Modular system for individual customer requirements
- Efficient installation
- Compact, maintenance-free busbar trunking system
- Improved, scalable efficiency
- Halogen-free, recyclable

System and operational safety

- Design verified switchgear and controlgear assembly in accordance with IEC 61439-1/-6
- Conforming to UL 6141
- Low fire load

Reliability

- Developed on the basis of the proven LD system
- Pre-defined impedances and stipulated technical features

One-stop shop

- Competent contact partners from consulting and planning up to commissioning

The better solution: The LDM system

Safe and reliable installation



Convincing system

Cost-efficient and safe investment

- Safe and reliable installation
- High operational safety
- High availability



A performance comparison between the LDM busbar trunking system and a cable-based solution shows the numerous benefits at a glance.

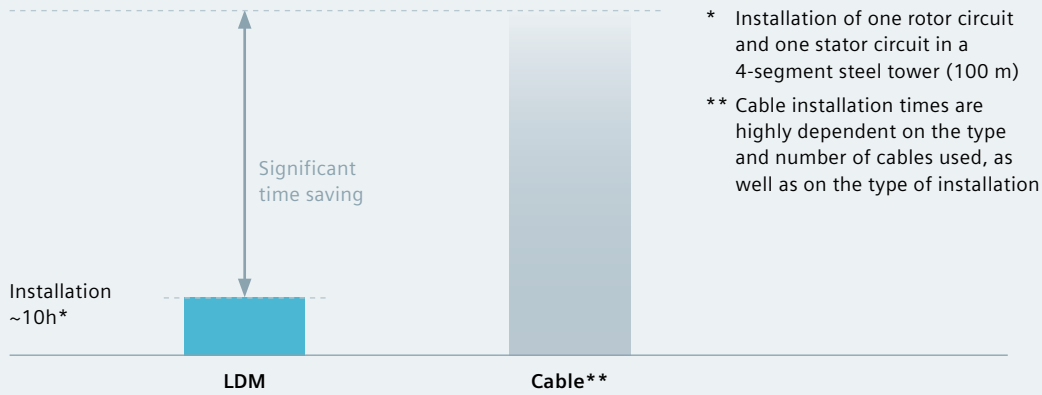
No matter whether you are an investor or wind farm operator, a wind turbine or tower manufacturer: Due to its design, the LDM system offers clear advantages without extra costs, such as e.g. higher safety during installation and operation, as well as secured technical features.

Readily installed in a fraction of the time

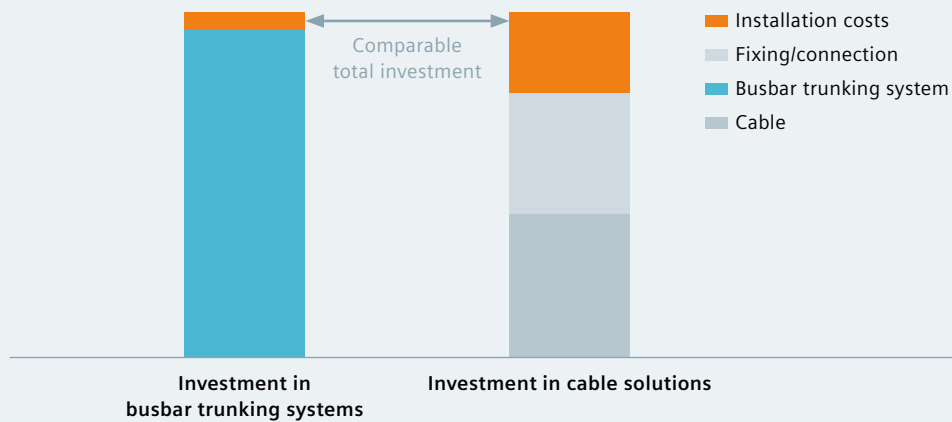
The LDM busbar trunking system is delivered to your site as a prefabricated assembly – simply join the parts, secure with bolts, and ready. As a difference from cable systems, there is no need for you to cut anything to length, strip, or bolt in a complex process. And: The busbar only requires one support every 3.20 m on the tower wall; the distances for cable systems must be calculated, and are partly below 50 cm. A comparable installation with the LDM system therefore requires far less time.

Please convince yourself of the installation advantages in our video at

www.siemens.com/LDM-system



Significant time saving during installation



LDM system:
 Same investment for more technical features

Higher operational safety

Due to its design, the LDM system offers many advantages compared to cable installations. This starts with the verification of conformity with standards by means of a design verification, which is not performed in this manner for cable installations in the tower. It continues seamlessly at fire load issues: The complete cable insulation may burn down in case of failure, whereas the LDM system contains only a few plastic parts, e.g. at the terminals. Moreover, the short-circuit rating of the LDM system is proved in a design verification – for cable installations, the developer of the plant has to calculate and verify the maximum current carrying capacity and the correct short-circuit rating of the entire system.

Improved availability

In wind turbines, failures are mostly caused by electrical components. A system such as LDM with tested, safe, and reliable joints can easily be installed in a professional way.

Even if professional preparation and implementation of the installation is taken for granted, the probability of failure is already higher for aluminium cables due to the large number of parallel joints. Further, the LDM system remains highly available in case of external faults, as a failure caused by externally initiated short-circuits is not to be expected.

Highly performant and cost-efficient: The LDM system



Faster and more efficient

- Modular for individual solutions
- Well-conceived components
- Compact design
- Efficient support
- High reliability by proven technologies
- High safety: Hardly any combustible materials

Power generation through the generator, and power transmission up to the grid infeed from the main circuit of a wind turbine. Apart from that, high power ratings must be distributed and transmitted safely and with as little losses as possible within the wind turbine.

LDM, the modular and efficient busbar trunking system from the SIVACON 8PS series takes care of that: reliably and efficiently – for currents up to 8,200 A.

Cost-efficient planning

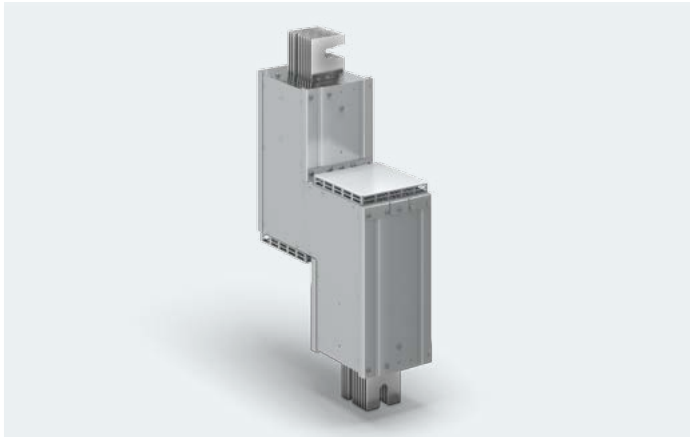
The LDM system can meet the requirements of every wind turbine precisely, offering all necessary components – with a compact design to simplify configuration. For double-fed asynchronous generators, the rotor and stator circuits can be laid in one housing, and a PE conductor can optionally be routed as well.

An additional advantage: Qualified support by the expert wind power team of Siemens, with competent contact partners able to give you perfect advice and support you during planning and commissioning of future-oriented technologies.

LDM system – Straight length

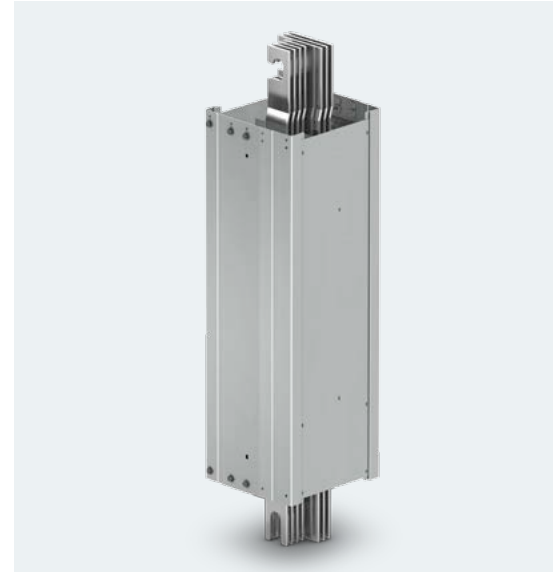


LDM system – Joint bracket



LDM system – Junction unit (Z-unit)

LDM system – Segment connector



LDM system – Cable infeed unit

Efficient installation

Busbar elements and customer-specific cable infeeds can be pre-assembled in lying tower segments, saving both time and costs. During erection on site, it will just be necessary to establish the connections between the tower segments. This is done through the design verified single-bolt connections, i.e., all phases of the busbar trunking system including the protective conductor are tightened with only one bolt and with a standard torque wrench – without special tools.

Special segment connectors can compensate any manufacturing tolerances at the segment transitions of the tower, and can be easily installed after erection.

Thereby, fixing brackets with damper elements protect the system in case of tower movements. With busbars, significantly less and simpler connections have to be established in the erected tower than with cables.

Compared with cable installations, the fixing distances of the LDM busbar trunking system are considerably wider, which accelerates installation and saves both space and material.

The transitions to other equipment and the loop cable are implemented by means of a customer-specific cable infeed and/or direct connections to the switchboard in the tower base.



The future in mind

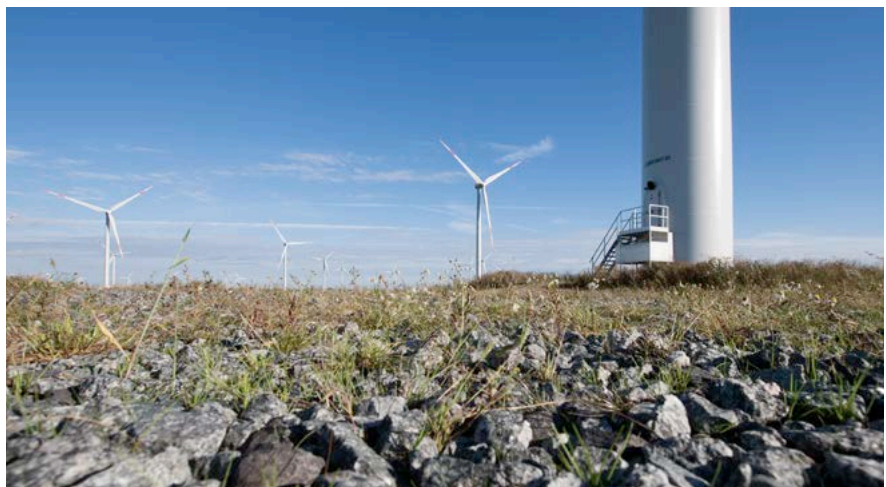
- Technically and economically advantageous solution throughout the entire service life of the wind turbine
- Sustainable technology, higher energy efficiency
- Recyclable
- Applicable world-wide by fulfillment of all relevant standards

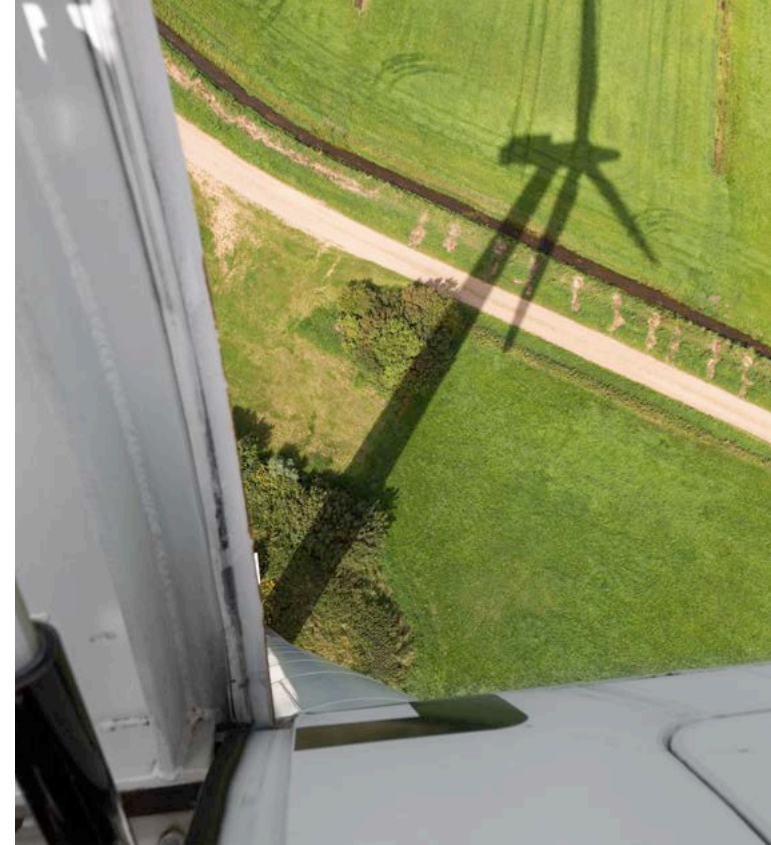
Safe and reliable operation

Power transmission between the nacelle and the tower base is often the point more prone to failures, and thus to longer interruptions of power generation. To face this, the LDM busbar trunking system satisfies the corresponding standard IEC 61439-1/-6: This standard postulates a design verification of the system, and not only ensures the permanent fulfilment of the confirmed technical parameters, but also excludes an overload of the system effectively, thus reducing the associated consequential damages.

Further parameters beyond the requirements of the standard can be set by the manufacturer's dimensioning and configuration of the busbar trunking system.

As the IEC 61439-1/-6 has become an integral part of the UL 6141, the LDM busbar trunking system can also be used on the North-American market.





Siemens develops and delivers a design verified LDM system in accordance with the electrical characteristics determined and required by the wind turbine manufacturer. Thus, for example, possibly arising short circuits have no influence on the product features of the LDM busbar trunking system, and they do not endanger further operation of the wind turbine. Further, the internal resistance of the busbar is determined, which simplifies the commissioning of the wind turbine and contributes to a high reliability in operation.

The minimum use of plastics results in a very low fire load, thus increasing the security of operation drastically in comparison with cable systems. In this context, the halogen-free design of a busbar trunking system also has positive effects.

Sustainable working

The improvement of energy efficiency in conventional power plants, which is already widely discussed today, will also gain more and more importance regarding wind power.

Therefore, wind turbine manufacturers will probably also be committed in the future to design equipment with the minimum possible losses.

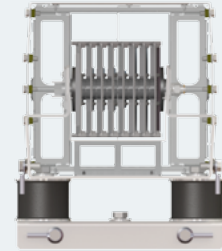
Siemens already takes account of this aspect today, and has developed the LDM platform to a busbar trunking system with minimised power losses and significantly improved efficiency by means of optimised conductor cross-sections. Of course, this is reflected in additional feed-in compensations for the plant operator throughout the entire service life of the wind turbine.

Besides that, the LDM busbar trunking system particularly stands for the topics of sustainability and responsible treatment of the environment. The LDM system is halogen-free and extremely energy-efficient. In addition, it can be recycled almost completely at the end of the service life.



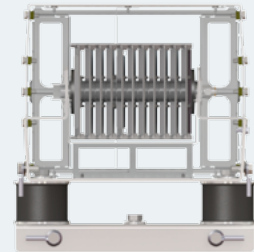
Mono (one circuit in the housing)

Voltage level	1,000 V
Current carrying capacity at 35° C	800 A – 4,100 A ¹⁾
Short-circuit rating	Scalable max. 116 kA
Degree of protection	IP21



Twin (two circuits in the housing)

Voltage level	1,000 V
Current carrying capacity at 35° C	Rotor: 800 A – 1,000 A Stator: 800 A – 3,050 A
Short-circuit rating	Scalable max. 116 kA
Degree of protection	IP21



Technical data

Rated insulation voltage U_i	1,000 V AC
Rated operational voltage U_e	1,000 V AC
Degree of protection	IP21 with saline fog and condensation test
Rated current I_{nA}	800 A to 8,200 A
Rated peak withstand current I_{pk}	Up to 255 kA
Rated short-time withstand current I_{cw} (1 s)	Up to 116 kA
Number of conductors	3 to 10 conductors per trunking unit (2 circuits possible per trunking unit)
Fire load	Depending on the application
Joining system	Separate single-bolt terminal block with hook system
Conductor material	Aluminium
Housing material	Galvanised sheet steel (optional coating in RAL colour)
Standards	IEC 61439-1/-6, North-America: Conforming to UL 6141
Adaptability	To standard LD system
Mounting position	Vertical, horizontal
Insulation	Air-insulated
Busbar coating	Epoxy

1) Up to 8,200 A for two parallel systems

Support

Optimise your time with Siemens
as a competent partner at your side



SIVACON 8PS busbar trunking systems on the Internet

Our website offers you a broad range of information as well as helpful tools for the SIVACON 8PS busbar trunking systems. Just click and have a look!

[siemens.com/busbar](https://www.siemens.com/busbar)

Technical documentation on the Internet

You will find an overview of the latest technical documentation available for SIVACON 8PS busbar trunking systems on our website (updated daily) at

[siemens.com/lowvoltage/product-support](https://www.siemens.com/lowvoltage/product-support)

Build on a sound basis

Our courses offer you solid foundations for your business success.

Expert lecturers provide you with the necessary theoretical and practical information relating to our SIVACON 8PS busbar trunking systems.

[siemens.com/lowvoltage/training](https://www.siemens.com/lowvoltage/training)

Reliable local support

Our local experts are there for you around the world, helping you to develop solutions for your energy supply, and providing you with specific expertise on project management and financial services. Important aspects of safety, logistics, and environmental protection are considered.

Technical experts from TIP Consultant Support offer you support, especially for planning and conception of electrical power distribution systems.

[siemens.com/tip-cs](https://www.siemens.com/tip-cs)

